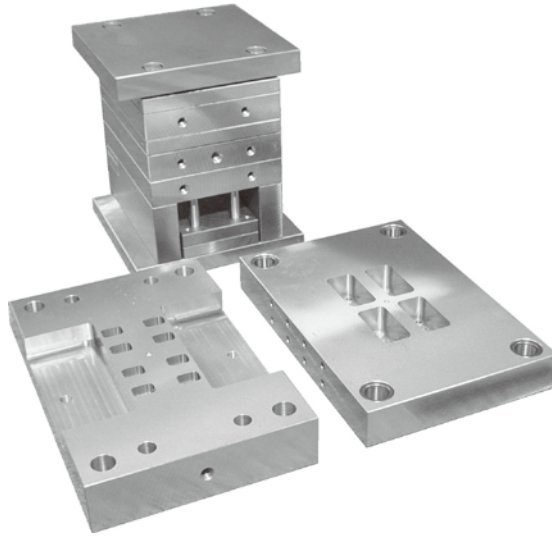


Plastic Mold (Mold Bases)

- Supported materials: SC materials, Alumigo Hard
- Machining dimensions range: inquire for each product



■ Mold base machining details

- Fixed side attachment plates
- Fixed side plates
- Movable side plates
- Receiving plates
- Spacer blocks
- Ejector plates (upper)
- Ejector plates (lower)
- Movable attachment plates
- Guide bushes
- Guide pins

Plastic Mold Tool Steel

For plastic die steel, choose from among materials rigorously selected by Daido Steel.

■ Plastic Die Steel

Name	Daido Steel brand name	Hardness during use (HRC)
Prehardened steels	P X A 3 0	30~33
	S - S T A R	31~34
	G - S T A R	33~37
	N A K 5 5	37~43
	N A K 8 0	37~43
	N A K 1 0 1	30~35

	Daido Steel brand name	Hardness during use (HRC)
Quenched and tempered steels	PD613	56~61
	S-STAR	50~37
	G-STAR	45~48