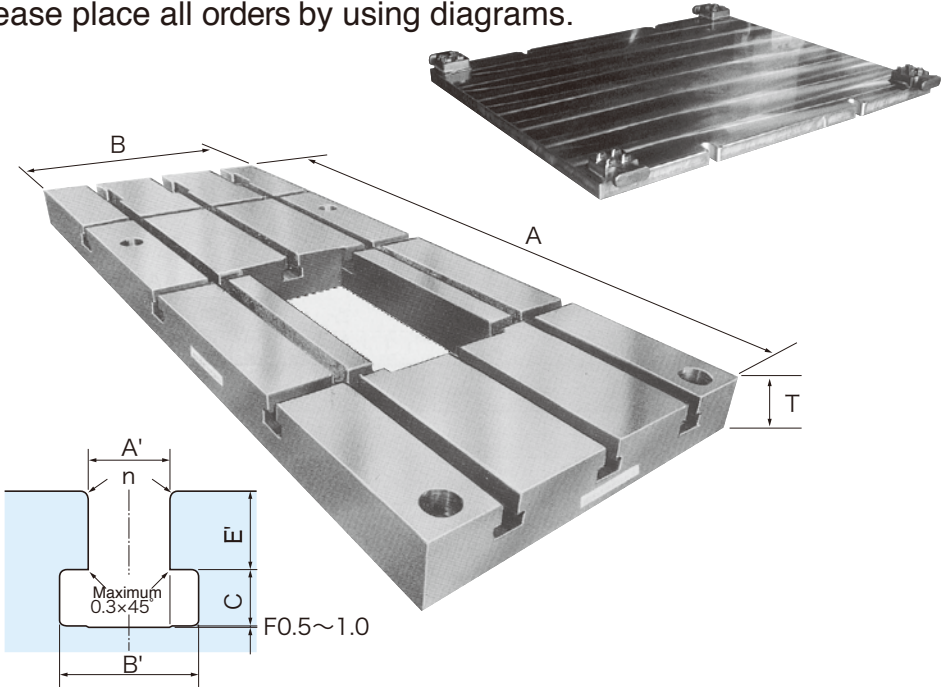


■ Please place all orders by using diagrams.



JIS Standards (reference)

A' dimension						
(18)	20	(22)	24	(28)	32	(36)

○ Standard
 □ Quasi-standard

● Method of Ordering (example)

In mm

Material	Exterior dimensions			No.	T groove dimensions					
	T	A	B		= No.	B'	C	A'	E'	n
SS400 S50C										
S50C	90	2000	1000	2	46	20	28	36	0.5 1.0	